



# NDE Series

Wireless lock with  
ENGAGE™ technology



The Schlage® NDE Series wireless lock with ENGAGE™ technology is designed to be easy to install, connect, manage, and use. Developed specifically for facilities that want to upgrade to electronic credentials for improved security and efficiency, it is ideal for suite entrances, office doors, common area doors, and sensitive storage spaces with a cylindrical door prep.

NDE Series wireless locks simplify installation by combining the lock, credential reader, door position sensor and request-to-exit switch all in one unit. NDE Series wireless locks utilize the standard ND cylindrical door prep and can be installed in minutes with only a Phillips screwdriver; no need to install additional components, drill holes or run wires to each opening.

Built-in Bluetooth® enables NDE Series wireless locks to connect directly to smart phones and tablets; no need for a costly proprietary handheld device for set-up and configuration. And with built-in Wi-Fi, NDE Series locks can connect directly to an existing Wi-Fi network enabling automatic updates to configuration and access. Additionally, NDE Series locks can be connected to the ENGAGE™ Gateway for real-time access control with software from one of our access control alliance partners.

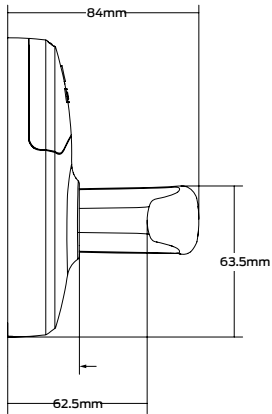
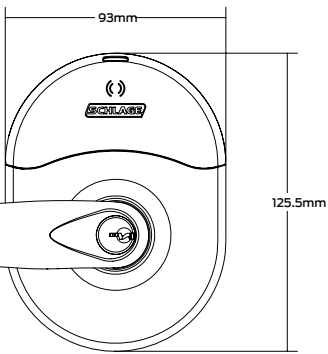
With the ENGAGE™ cloud-based web and mobile apps, it's easy to configure lock settings, add users, and view audits and alerts from anywhere. For advanced capabilities including networked real-time communication, NDE Series wireless locks can be managed with software from one of our access control alliance partners.

NDE Series wireless locks are compatible with most proximity and smart cards including aptiQ™ and aptiQmobile.™ For additional details please refer to the NDE Integrations which can be found under the Alliances menu on our website.

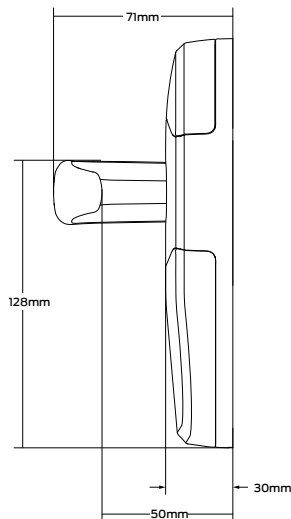
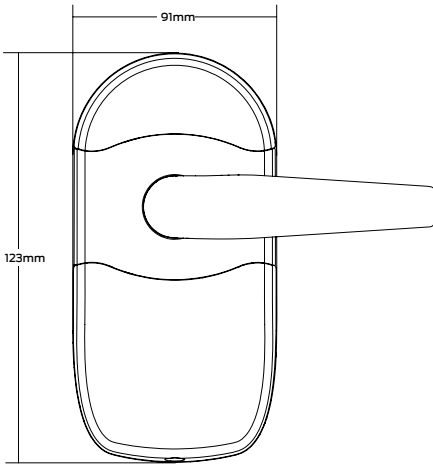
## Features

- Designed to be easy to install, connect, manage, and use
- Fits mechanical ND Series door prep with no additional holes
- Installs in minutes with only a Phillips screwdriver
- Lever handing is field reversible in seconds; no tools required
- Innovative integrated door position sensor requires no additional door prep
- Built-in Bluetooth® enables wireless configuration from smart phones and tablets
- Built-in Wi-Fi enables automatic daily updates sent directly from host software
- Enable networked real-time communication with the ENGAGE™ Gateway and software from one of our access control alliance partners
- Up to 2 years of battery life with 4 AA batteries
- Compatible with major brands of key systems
- ANSI/BHMA A156.25 (Indoor/Outdoor), ANSI/BHMA Grade 1, UL 294, UL10C, FCC Part 15, ADA, RoHS, Industry Canada (IC)

**Exterior of the lock**



**Interior of the lock**



Schlage · NDE Series

**NDE Series wireless lock specifications**

Users	Up to 5,000 <sup>1</sup>
Audits	Up to 2,000 <sup>2</sup>
Credential verification time	≤ 1 second <sup>3</sup>
Visual communications	LED (red, amber, green)
Audible communications	Audible indicator (field configurable)
Communication standards	<ul style="list-style-type: none"> <li>2.4 GHz Wi-Fi® (IEEE 802.11b/g)</li> <li>WPA2, WPA, WEP, 802.1x</li> <li>Bluetooth low energy (version 4.0)</li> <li>Transport Layer Security (TLS) version 1.0</li> <li>Advanced Encryption Standard (AES), 256-bit</li> </ul>
Communication range	Up to 30m
Wake-Up on Radio	Responds to command from host in less than 5 seconds when linked to ENGAGE Gateway (requires alliance partner software)
Data rate	24 Mbps via Wi-Fi
Connectivity options	<ul style="list-style-type: none"> <li>Mobile (send updates at the lock)</li> <li>Wi-Fi access point (automatic daily updates<sup>9</sup>)</li> <li>ENGAGE Gateway (real-time communication)                             <ul style="list-style-type: none"> <li>RS-485 to partner ACP or IP to partner host</li> </ul> </li> </ul>
Battery life	Up to 2 yrs with 4 AA batteries <sup>4</sup>
Operating temperature (exterior)	-35° to 66°C)
Operating temperature (interior)	0° to 49°C (battery)
Operating humidity	0 - 100% non-condensing
Certifications	ANSI/BHMA A156.25-2013 (Indoor/Outdoor), ANSI/BHMA A156.2-2011, Series 4000, Grade 1, UL 294, UL 10C, CSA C22.2 No. 205-M1983, FCC Part 15, IC RSS-210, ADA, RoHS, ICC ANSI A117.1

**Functions**

- Storeroom with Vandgard®

**Available status signals**

- Request-to-exit
- Door position
- Interior cover tamper<sup>5</sup>
- Magnetic tamper
- Battery status
- Lock/unlock status<sup>6</sup>
- Communication status<sup>5</sup>

**Flexible solutions**

NDE Series wireless locks offer connectivity options to fit any size budget or business.

- 1 Mobile
- 2 Wi-Fi
- 3 Real-time with ENGAGE Gateway

**ENGAGE™ cloud-based web and mobile applications**



The ENGAGE cloud-based web and mobile applications deliver simple and convenient site set-up with basic access management for users and locks.<sup>1,3</sup>

**ENGAGE mobile app**

- Add and configure locks<sup>7,8</sup>
- Add new users and enroll credentials<sup>7,8</sup>
- View audits and alerts
- Send updates to locks
- Perform lock diagnostics
- Requirements: iOS 8 or later (on iPhone 4S or newer); Android 4.4 (Kit Kat) or later

**ENGAGE web portal**

- Configure locks<sup>7,8</sup>
- Add new users and enroll credentials<sup>7,8</sup>
- View audits and alerts
- Requirements
  - Internet Explorer 11.0 or later
  - Chrome 38.0 or later
  - Firefox 33.0 or later
  - Safari for Mac OS X 10 +



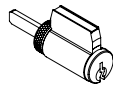
<sup>1</sup> Maximum database storage capacity of lock. Can vary upon partner database capacity when paired with an ENGAGE Gateway RS-485 to ACP  
<sup>2</sup> Maximum audit storage capacity of lock. Can vary upon partner audit storage capacity when paired with an ENGAGE Gateway RS-485 to ACP  
<sup>3</sup> Response time does not include latency time of host when paired with an ENGAGE Gateway  
<sup>4</sup> Assuming indoor application, 13.56 MHz CSN credential, 100 actuations and one Wi-Fi update per day

<sup>5</sup> Consult your access control software provider for specific scope of support  
<sup>6</sup> Software indicates lock/unlock status based on sequence of events  
<sup>7</sup> When using the ENGAGE cloud-based access management tool  
<sup>8</sup> Requires internet connection  
<sup>9</sup> Daily update will occur within 24 hours as scheduled by the host

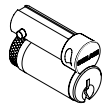
## Mechanical specifications

Chassis	Cylindrical
Handing	Right-handed from factory. Field reversible in seconds (no tools required)
ANSI standard (Meets or exceeds)	ANSI/BHMA A156.25-2013 (Indoor/Outdoor) ANSI/BHMA A156.2-2011, Series 4000, Grade 1
Door thickness	Standard: 41mm - 51mm (SSS Shim Plates available for 35mm - 41mm thickness)
Backset	Standard: 70mm (stocked) Optional: 60mm (indent)
Latch bolt	Standard: 12mm throw deadlatch - steel (stocked) Optional: 19mm throw anti-friction deadlatch available for pairs of fire doors (indent)
Levers	Pressure cast zinc, plated
Strike	Standard: 30.2mm lip, ANSI, DPS, 31.7mm x 101.6mm Optional: Additional strikes, lip lengths and ANSI strike box available
Cylinder and keys	Standard: Classic S123 cylinder with two keys. Additional keying options available, including standard and interchangeable cores, competitor brands, master keying and grand master keying

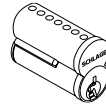
## Compatible key systems



Key-in-lever cylinder



Full size interchangeable core



Small format interchangeable core

### Schlage key systems

	Key-in-lever cylinder	Full size interchangeable core	Small format interchangeable core
Primus XP	■	■	—
Everest 29	■	■	■
Classic*	■ *	■	—

### Other key systems

	(6-pin)		
Sargent®	■	■	■
Corbin Russwin®	—	■	■
Yale®	—	■	■

\*This is our stocked item, other items are indent.

## Multi-technology reader specification

Frequency	125 kHz proximity and 13.56 MHz smart credential
Standards	ISO standard 15693 and ISO 14443
Maximum read range	Up to 38.1cm on 125 kHz proximity, Up to 22.9cm on 13.56 MHz smart credential
125 kHz proximity credential compatibility	<b>Compatibility:</b> Schlage®, XceedID®, HID®, GE/CASI ProxLite®, AWID® and LenelProx® <b>XceedID credential style formats:</b> Clamshell, ISO card, ISO card with magnetic stripe, keyfob and PVC disk (7000 Series)
13.56 MHz smart credential compatibility	<b>Secure sector compatibility:</b> Schlage MIFARE®, aptiQ® MIFARE Classic, XceedID, aptiQ MIFARE DESFire™ EV1 with PACSA, aptiQmobile™ <b>CSN only compatibility:</b> DESFire, HID iClass®, Inside Contactless Pico Tag®, MIFARE, MIFARE DESFire EV1, ST Microelectronics® Texas Instruments Tag-It®, Phillips I-Code® <b>aptiQ credential style formats:</b> Clamshell, ISO card, ISO card with magnetic stripe, keyfob, mobile, PVC disk (8000 Series) and PVC patch (9000 Series)

## Benefits of NDE Series multi-technology readers:

- Reads both proximity (125 kHz) and smart (13.56 MHz) technologies with single device
- NDE Series multi-technology readers are NFC compatible<sup>1</sup> and enable use with aptiQmobile credentials
- Allows end user to migrate to more secure credentials over time and as budgets permit

<sup>1</sup> Please refer to aptiQmobile compatibility chart for a list of certified devices

## Lever styles

Standard cylinders shown, SFIC and FSIC also available.



Sparta



Rhodes



Athens\*

\*This is our stocked lever style. Other styles are indent.

## Finishes

Warm tone finishes



605  
Bright brass



606  
Satin brass



612  
Satin bronze



643e  
Aged bronze

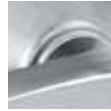
Cool tone finishes



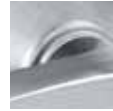
619  
Satin nickel\*



625  
Bright chrome



626  
Satin chrome



626AM  
Satin chrome with  
antimicrobial

\*This is our stocked finish. Other finishes are indent.

Allegion, the Allegion logo, aptiQ, aptiQmobile, Schlage, the Schlage logo, ENGAGE technology, the ENGAGE technology logo, and XceedID are trademarks of Allegion plc, its subsidiaries and/or affiliates in the United States and other countries. All other trademarks are the property of their respective owners.

## About Allegion

Allegion (NYSE: ALLE) is a global pioneer in safety and security, with leading brands like Schlage®, Legge®, LCN®, Briton® and Von Duprin®. Focusing on security around the door and adjacent areas, Allegion produces a range of solutions for homes, businesses, schools and other institutions. Allegion is a \$2 billion company, with products sold in almost 130 countries. For more, visit [www.allegion.co.nz](http://www.allegion.co.nz)

